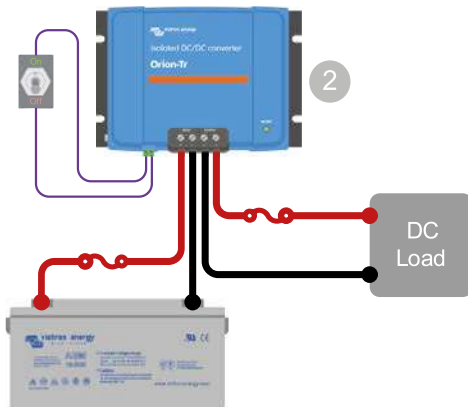
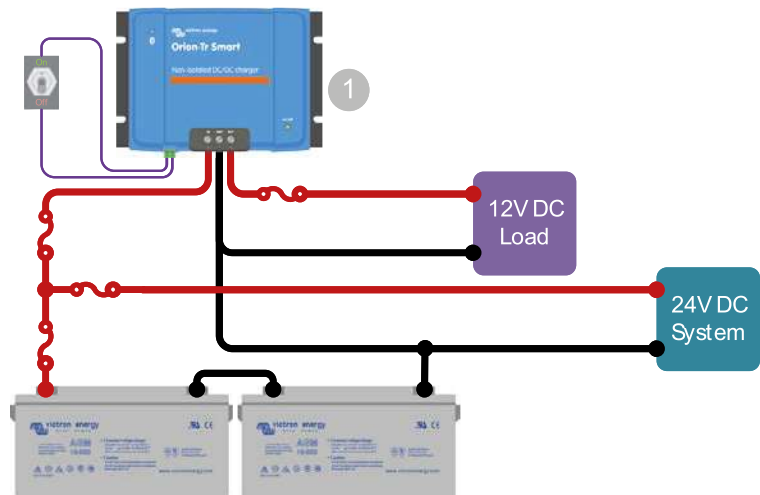
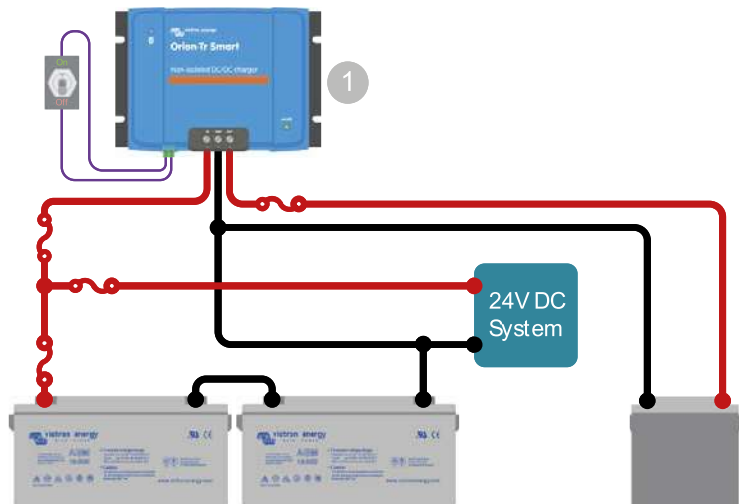


System with DC-DC converter, providing a different DC voltage to power a specific DC load or circuit. In this example powering 12V loads from a 24V battery bank.



System with DC-DC converter, providing galvanic isolation between the battery and the DC load or circuit.



System with DC-DC converter, charging an additional battery at the same or a different voltage. In this example charging a 12V generator starter battery from a 24V battery bank.

ID	Items and notes
①	Orion DC-DC Converter, isolated or non isolated, converts one voltage to another, can also be used to charge a battery.
②	Isolated Orion DC-DC Converter, a variety of models available with 12, 24 or 48V input and 12 or 24V output
	Optional on/off switch.
	Remote on/off signal wire.
	12, 24 or 48V battery or battery bank consisting of multiple batteries in series, parallel or series/parallel.
	DC fuse.
	Positive (red) and negative (black) DC cables. For the correct cable sizing see the Wiring Unlimited book .